

Top[®]

AUTOMAZIONI

BAR FEEDERS & AUTOMATIONS



**NO MORE REASONS
TO WAIT**



STONE

**STONE IS ONE OF TOP AUTOMAZIONI'S
ROBOTIC SOLUTIONS**

**INTEGRATED STORAGE ON A
REVOLVING PALLET FOR THE
LOADING/UNLOADING OF
COMPONENTS**

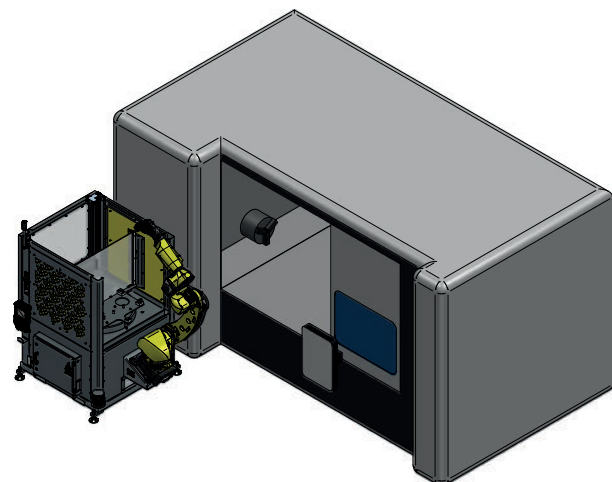
**CAN BE COUPLED WITH
ALL CNC MACHINES SUCH
AS LATHES, MACHINING
CENTERS, GRINDERS,
ETC...**

i4.0



LAYOUT AND INSTALLATION

STONE is available in Central version and, based onto layout dimensions, can be paired with any CNC machine tool and adapt to the surrounding workplace. When STONE is not in use, Fanuc arm is positioned in such a way that leaves always free the machine working space. The peculiar design allows a fluent use of the HMI control panel, an easy access when setting up the CNC machine and a quick tooling's check.

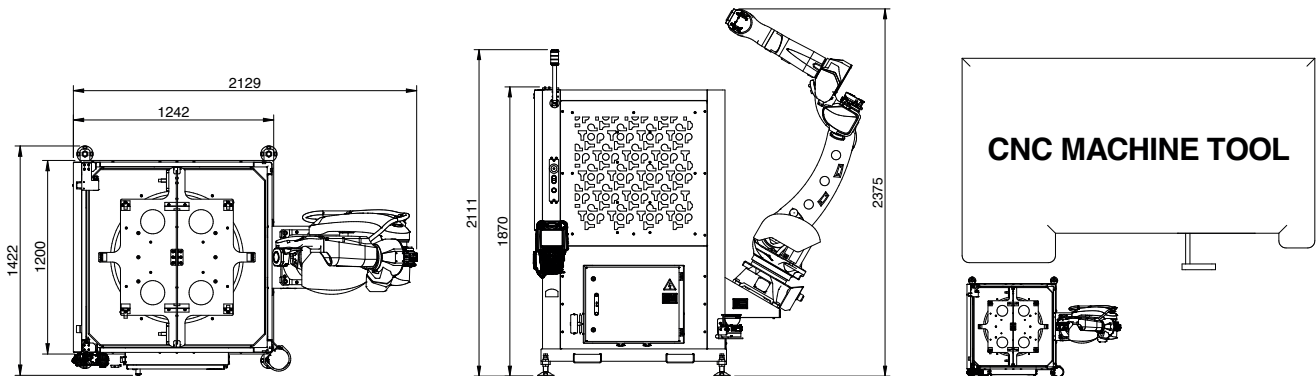




Scan the QR CODE to watch the video



STONE





ROBOT FEATURES

- Fancuc M-20iD/25
- Payload 25 kg
- Max reach 2.000 mm, center tool point
- Max speed (J6) 720°/s
- Repeatability +/-0,02mm
- Wrist protection class IP67
- Weight 250 Kg



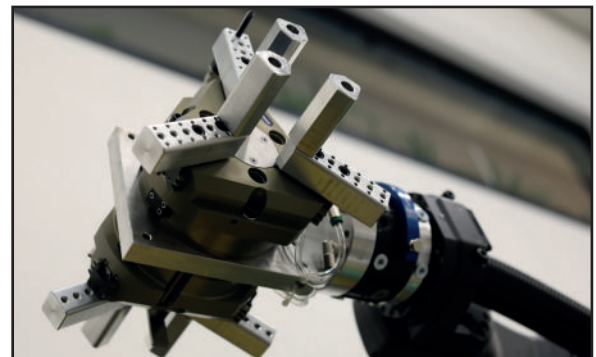
CONTROL UNIT

- Controller R30iB-PLUS
- Intuitive programming
- User-Friendly interface
- Fancuc collaborative functions
- Touchscreen
- Machine utilization reports
- Intelligent maintenance prediction software
- Eccentric loading and unloading mode
- Homing function
- Revolving pallet full handling via software



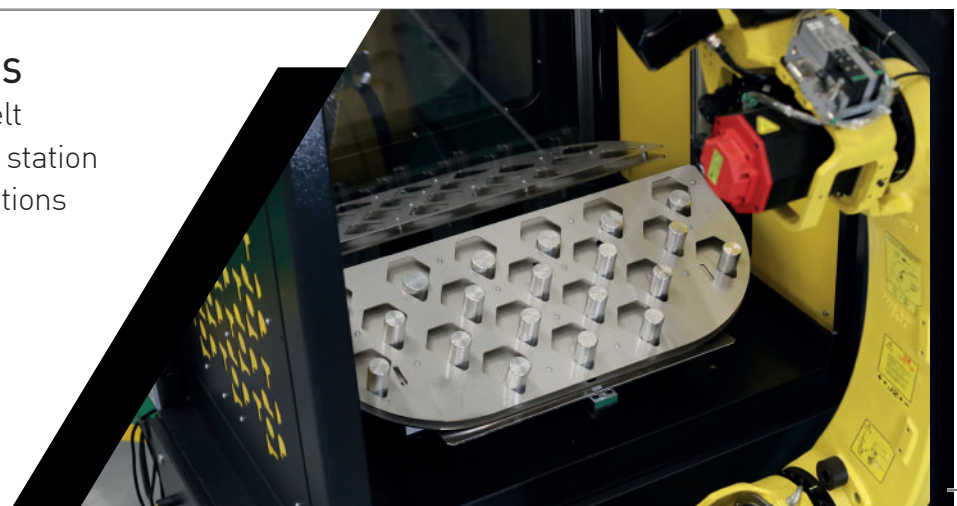
GRIPPER FEATURES (TAILORED ON THE PROJECT)

- 2 Fingers gripper for rectangular shapes
- 3 Fingers gripper for round shapes
- 2 Fingers gripper for long shafts
- Customized gripper for specific shapes
- Air blow system
- Quick change system for gripper
- Low air pressure detection



ADDITIONAL WORKING STATIONS

- Parts unloading on box/cage/belt
- Parts positioning on measuring station
- Other tailored customers operations available



STORAGE ON REVOLVING PALLET SYSTEM

- 2 trays (tailored on the workpieces shape and dimension)
- Tray dimensions 600x400mm
- Max load each tray 60 kilos
- Metal galvanized structure and trays for long lasting
- Trays quick locking system



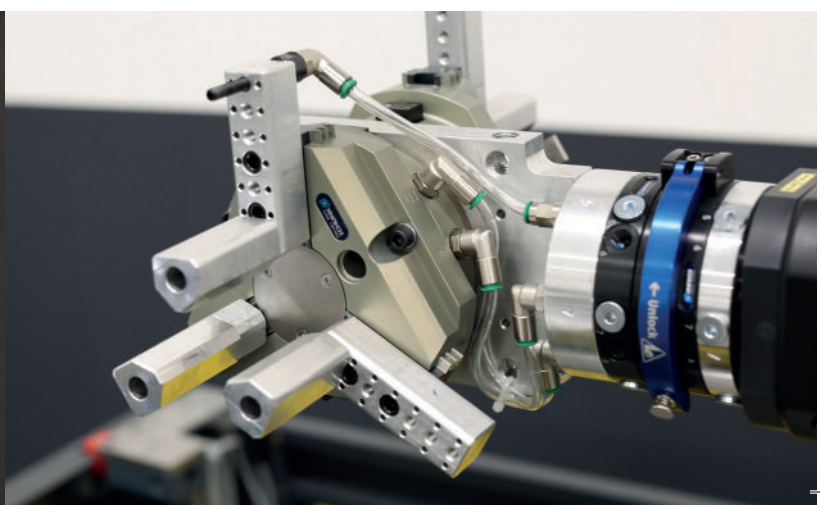
SAFETY FEATURES

- Fanuc Dual Check Safety System integrated with laser scanner
- Pneumatic or servo-motor driven CNC machine door opener with integrated safety circuit if predisposed



CONNECTION PREDISPOSITION

- Teleservice predisposition
- Predisposition for Industry 4.0 connection





HOW TO FIND US ►
scan QR code



TOP AUTOMAZIONI S.R.L.

Via Torrianese, 62
47824 Poggio Torriana (RN)

Tel. +39 0541 688248

Fax +39 0541 688168

topautomazioni@topautomazioni.com

www.topautomazioni.com

